

MB ANTENNAS

SPECTRE™ M



Tactical Multiband Antennas

Handheld Multiband Antenna

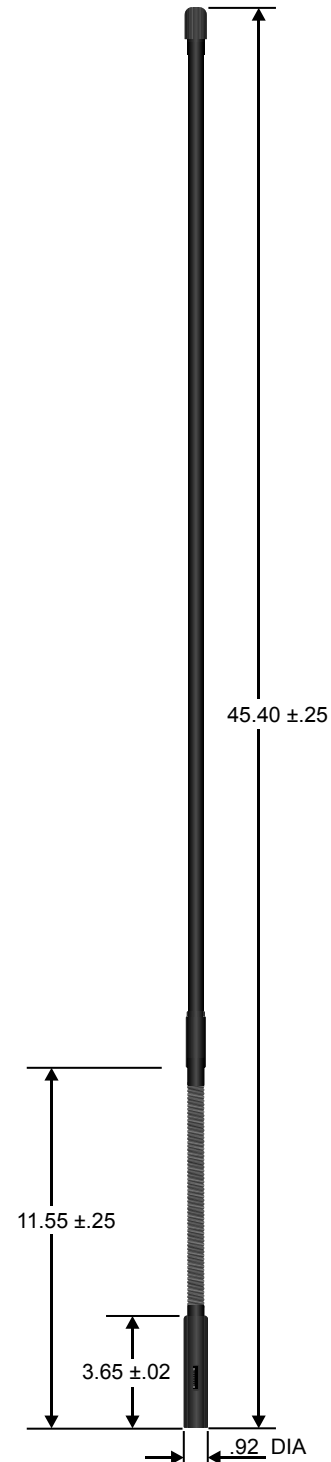
PRODUCT DESCRIPTION

Part Number	ANT-MB-HH
Market	Military - Man Portable

This rugged yet flexible 1 meter blade-style antenna with gooseneck, operates from 30–512 MHz. It is designed for handheld applications and is submersible to 20 meters.

PRODUCT SPECIFICATIONS

APPLICATION	Handheld
FREQUENCY	30–512 MHz
IMPEDANCE	50 Ohms (nominal)
VSWR	3.0:1 Max.
POLARIZATION	Vertical
PATTERN	Onmi-directional
RF POWER HANDLING	8 Watts CW
GAIN (TYPICAL)	30–60 MHz > -20 dBi 60–90 MHz > -10 dBi 90–174 MHz > -6 dBi 174–512 MHz > -4 dBi
CONNECTORS	N-Type (Male)
WEIGHT (NORMAL)	0.75 LBS
COLOR	Black





MB ANTENNAS

Tactical Multiband Antennas

Vehicular Multiband Antenna

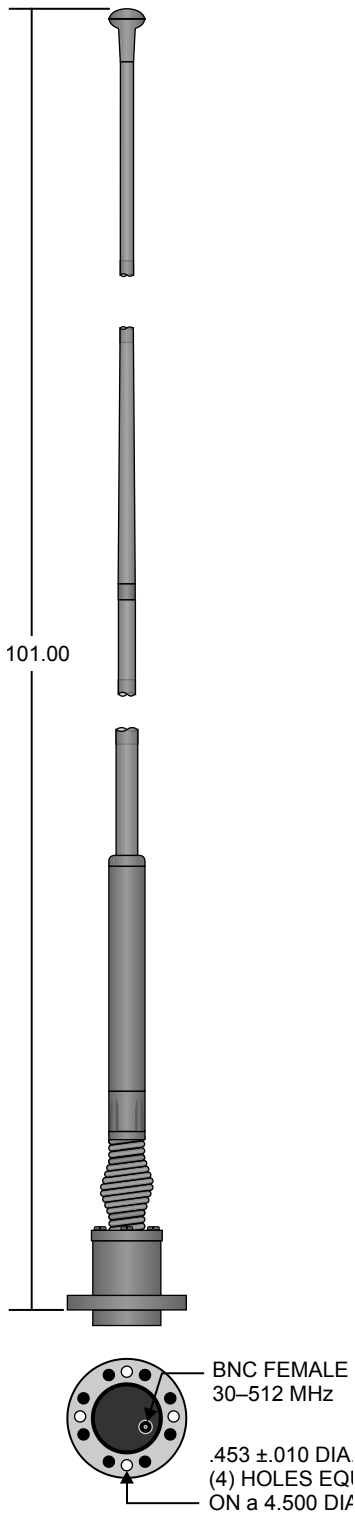
PRODUCT DESCRIPTION

Part Number	ANT-MB-V
NSN	Meets requirements of 5985-01-514-2271, 5985-01-550-2303
Market	Military - Land

This rugged ruggedized multiband vehicular antenna provides instantaneous bandwidth coverage of the 30–512 MHz spectrum. No tuners or band switching required. This antenna operates with legacy radios for SINCGARS and EPLRS through the newest multiband radios. It features a mount with the standard NATO mounting bolt pattern, provides a low vertical signature and replaces multiple antennas. It is fully “oak beam” and HV-compliant.

PRODUCT SPECIFICATIONS

APPLICATION	Ground-based communication
FREQUENCY	30–512 MHz
IMPEDANCE	50 Ohms (nominal)
VSWR	Across listed frequencies on a 10-ft. square ground plane 30–512 MHz <3.5:1.
POLARIZATION	Vertical
PATTERN	Onmi-directional
RF POWER HANDLING	100 Watts CW across all operating frequencies
GAIN (TYPICAL)	30–88 MHz: -7.5 dBmp (30 MHz) to 0 dBmp (80 MHz) 88–108 MHz > -7 dBi 108–280 MHz -12 dBi to 0 dBi 280–512 MHz -3 dBi to +3 dBi
CONNECTORS	BNC Female
WEIGHT (MAX.)	8.0 LBS



MB ANTENNAS

Tactical Multiband Antennas

Base Station Multiband Antenna

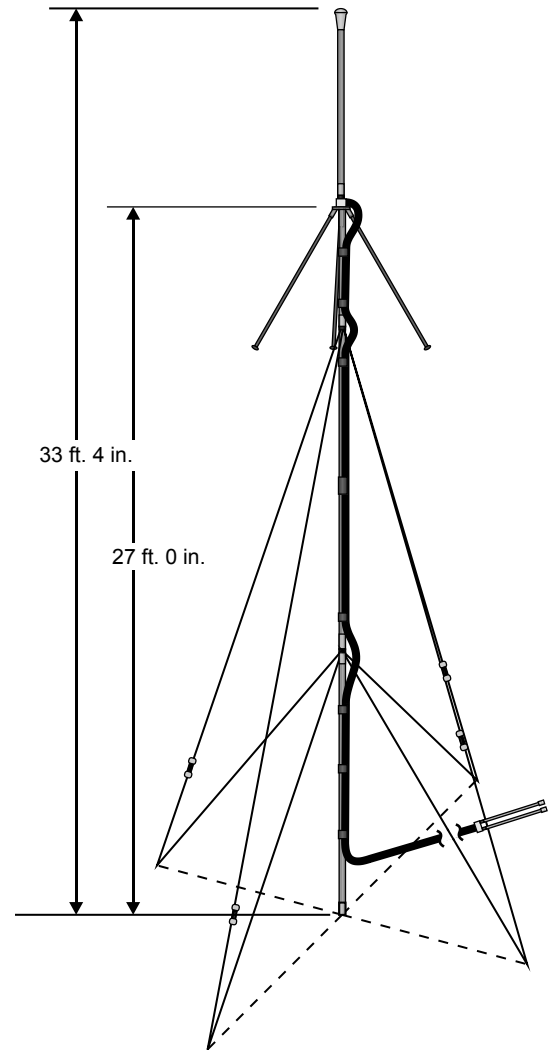
PRODUCT DESCRIPTION

Part Number ANT-MB-B
Market Military - Land

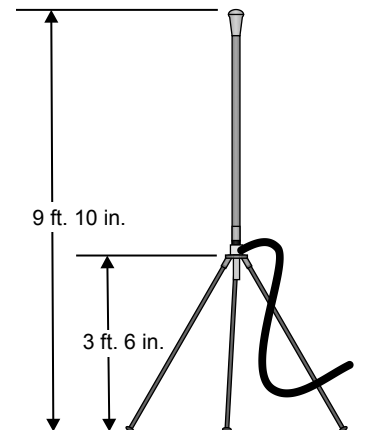
The ANT-MB-B is comprised of a 27 feet mast or used on the ground standing on its tripod base. It is manufactured to meet the mechanical and environmental specifications as called out in MIL-PRF-49204. The antenna comes complete with two 40 feet lengths of coaxial RF transmission line with an in-line adapter.

PRODUCT SPECIFICATIONS

APPLICATION	Ground Based Communications
FREQUENCY	30–512 MHz
IMPEDANCE	50 Ohms (nominal)
VSWR	3.5:1 Max.
POLARIZATION	Vertical
PATTERN	Onmi-directional
CONNECTOR	N-type (Female at antenna feed points)
RF POWER HANDLING	100 Watts CW
GAIN (TYPICAL)	30–88 MHz -7.0 dBi to -1.0 dBi 108–156 MHz >-6.0 dBi 225–512 MHz >-4.0 dBi
WEIGHT (NORMAL)	45 LBS



UTILIZING THE 27 ft. MAST FOR ELEVATED DEPLOYMENT



UTILIZING THE TRIPOD BASE FOR GROUND DEPLOYMENT



SPECTRE™ M

MB ANTENNAS

Tactical Multiband Antennas

Quick-Deploy Multiband Antenna

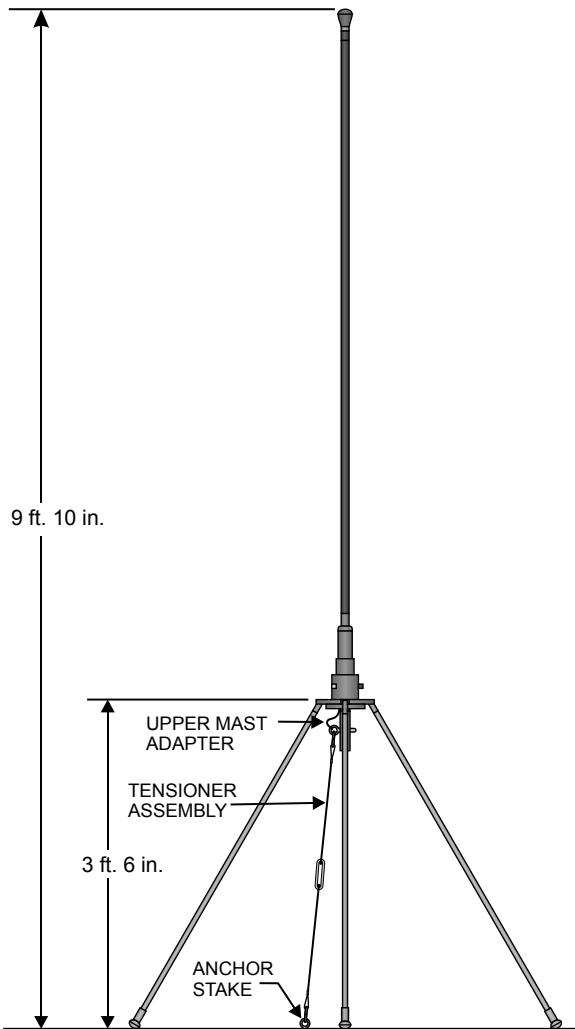
PRODUCT DESCRIPTION

Part Number	ANT-MB-V-R
Market	Military - Land

The ANT-MB-V-R is a multiband antenna with radials that also serve as a support for this quickly deployable antenna. Standing on its tripod base, it can also be anchored to the ground. It is manufactured to meet the mechanical and environmental specifications as called out in MIL-PRF-49204.

PRODUCT SPECIFICATIONS

APPLICATION	Ground Based Communications
FREQUENCY	30–512 MHz
IMPEDANCE	50 Ohms (nominal)
VSWR	3.5:1 Max.
POLARIZATION	Vertical
PATTERN	Onmi-directional
CONNECTORS	N-Type (Females at antenna feed points)
RF POWER HANDLING	100 Watts CW
GAIN	30–60 MHz -7.0 dBi to -1.0 dBi 108–156 MHz >-6.0 dBi 225–512 MHz >-4.0 dBi
WEIGHT (NORMAL)	18 LBS



Datron World Communications, Inc.

995 Joshua Way, Suite A
Vista, CA, USA 92081

Tel: +1-760-597-1500
Fax: +1-760-597-1510

E-mail: sales@dtwc.com
Web: http://www.dtwc.com



Subject to export regulations
Specifications subject to change without
notice - rev 200812
Made in the USA



www.dtwc.com